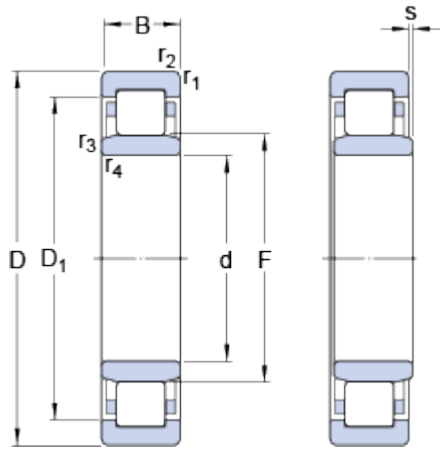


# NU 332 ECML

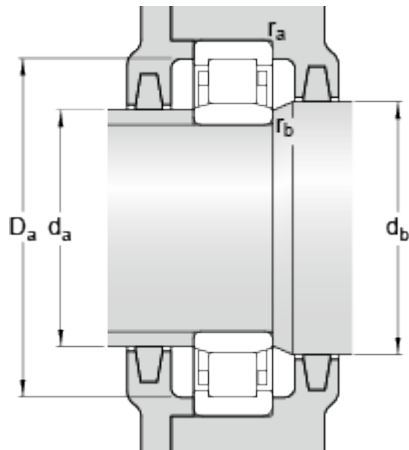
SKF Explorer

## Dimensions



d		160	mm
D		340	mm
B		68	mm
D <sub>1</sub>	≈	286	mm
F		204	mm
r <sub>1,2</sub>	min.	4	mm
r <sub>3,4</sub>	min.	4	mm
s		4	mm

## Abutment dimensions



d <sub>a</sub>	min.	177	mm
d <sub>a</sub>	max.	199	mm
d <sub>b</sub>	min.	207	mm
D <sub>a</sub>	max.	321.9	mm
r <sub>a</sub>	max.	3	mm
r <sub>b</sub>	max.	3	mm

## Calculation data

Basic dynamic load rating	C	1000	kN
Basic static load rating	C <sub>0</sub>	1080	kN
Fatigue load limit	P <sub>u</sub>	112	kN
Reference speed		2000	r/min
Limiting speed		3600	r/min
Calculation factor	k <sub>r</sub>	0.23	

## Mass

Mass bearing		30.87	kg
--------------	--	-------	----

## Appropriate products

Angle ring		HJ 332 EC	
------------	--	-----------	--

